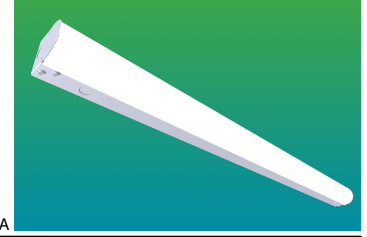


Project / P.O. #
Type
Date
Catalogue #

Application Features

Designed for general purpose interior industrial applications, this LED fixture is ideal for simple and effective illumination of working and living spaces. Available in nominal 2', 4', and 8' lengths, luminaire can be row-mounted to create longer linear channels. Can be surface mounted or suspended.



CL-LSTRIP-PFW-41-WA

Specifications

Optics

Standard diffuser is a white opalescent high-transmission extruded linear acrylic lens designed for even, low-glare illumination.

Mounting

Knock-outs provided for stem or pendant mounting, along with power feed cable. Studs optionally provided for aircraft cable mounting kits. Continuous row mounting-capable.

Construction

CNC fabricated code gauge steel housing and ends.

Finish

Pre-painted white housing standard. Post powder-coated option available.

Electrical

CSA/cUL approved electronic components. Long-life LEDs paired to high-efficiency drivers rated to deliver L80 performance for 50,000 hours. Drivers are 0-10V dimming-capable.

Approvals

Approved to CSA and cUL standards. Suitable for indoor dry locations.

Warranty

5-year limited warranty on LED components. For complete warranty terms, visit: <http://www.customlightingltd.com/resources>



Features

- Energy-saving configurations up to 156 lm/W
- Row mounting capable
- 80+ CRI standard
- 0-10V low voltage dimming standard
- 4000K colour temperature standard
- 120V / 277V / 347V / 480V configurations

Options & Adders

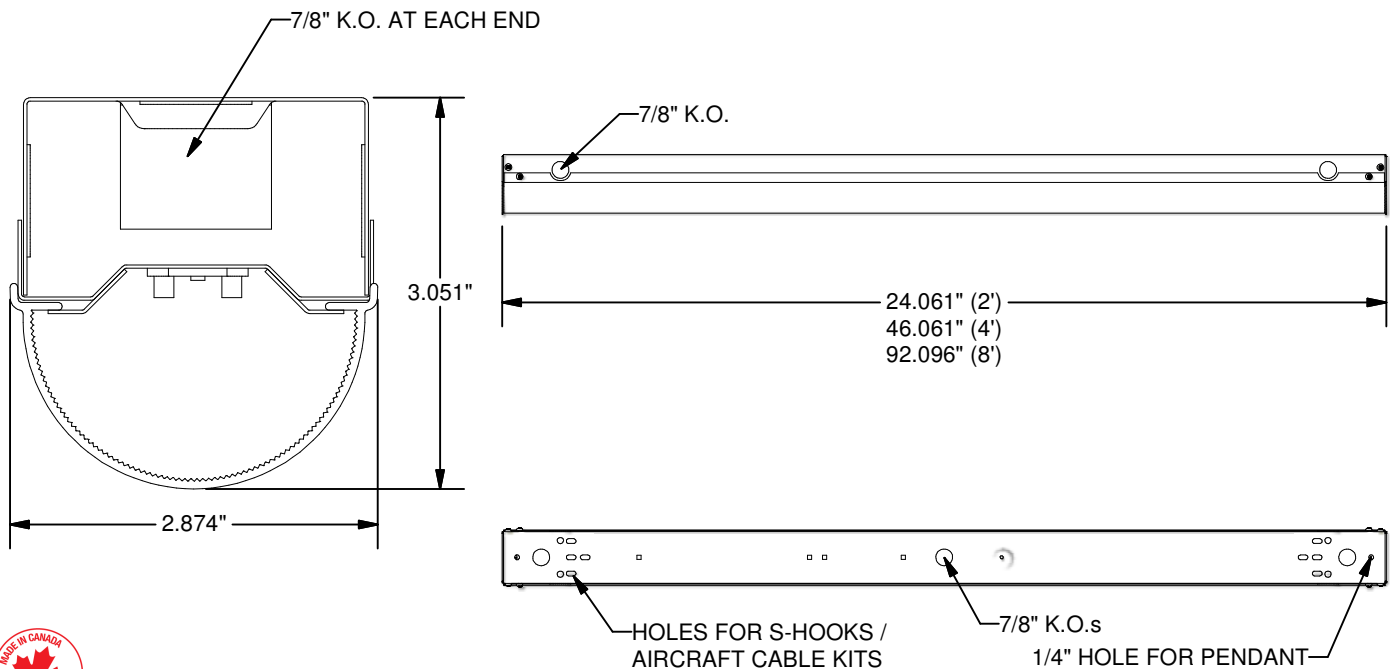
- Occupancy sensor
- Aircraft cable suspension mounting kit
- Finishes in multiple colours / textures
- 3000K / 3500K / 5000K colour temperature

Applications

- Cafeterias
- Libraries
- Offices
- Classrooms
- Multipurpose Areas

INDOOR SUSPENSION LIGHTING LED

Dimensions



Project / P.O. #
Type
Date
Catalogue #

CL-LSTRIP
LED Industrial Strip Fixture
 Commercial-Grade Linear General Purpose Luminaire

Photometrics

Please visit www.customlightingltd.com for photometric reports and IES files.

Performance

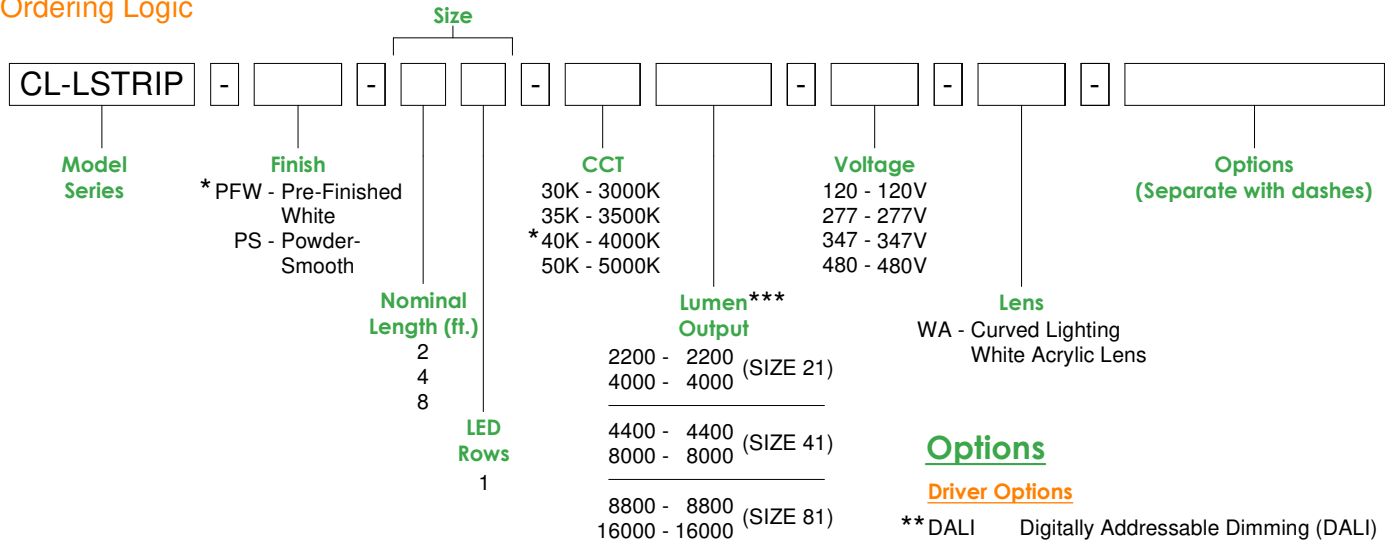
Size	Light Engine Lumens	3000K		3500K		4000K		5000K	
		Power (W)	Efficiency (lm/W)	Power (W)	Efficiency (lm/W)	Power (W)	Efficiency (lm/W)	Power (W)	Efficiency (lm/W)
21	2200	17	133	16	137	16	140	16	141
21	4000	30	135	29	140	28	143	28	145
41	4400	31	142	30	147	29	150	29	152
41	8000	58	139	56	144	54	147	53	150
81	8800	62	142	60	147	58	150	58	152
81	16000	116	139	111	144	109	147	107	150

NOTE: Values based on 120V_{ac} and 25°C ambient temperature.

Lens transmission rate is not included in values shown.

INDOOR SUSPENSION LIGHTING LED

Ordering Logic



Example:

CL-LSTRIP-PFW-41-40K4400-120-WA

Mounting Accessories (Order Separately - Two Required per Fixture)

- RAI-AC-S-3 Adjustable 1/16" Aircraft Cable Suspension - Solid Ceiling, 3' or less
- RAI-AC-S-6 Adjustable 1/16" Aircraft Cable Suspension - Solid Ceiling, 6' or less
- RAI-AC-S-10 Adjustable 1/16" Aircraft Cable Suspension - Solid Ceiling, 10' or less
- RAI-AC-T-3 Adjustable 1/16" Aircraft Cable Suspension - T-Bar Ceiling, 3' or less
- RAI-AC-T-6 Adjustable 1/16" Aircraft Cable Suspension - T-Bar Ceiling, 6' or less
- RAI-AC-T-10 Adjustable 1/16" Aircraft Cable Suspension - T-Bar Ceiling, 10' or less

Power Feed Accessories (Order Separately - One Required per Fixture)

- RAI-PF-K-3-W 14/3 STJW Power Feed Kit - White, 3'
- RAI-PF-K-6-W 14/3 STJW Power Feed Kit - White, 6'
- RAI-PF-K-10-W 14/3 STJW Power Feed Kit - White, 10'
- RAI-PF-K-15-W 14/3 STJW Power Feed Kit - White, 15'
- RAI-PF-K-3-B 14/3 STJW Power Feed Kit - Black, 3'
- RAI-PF-K-6-B 14/3 STJW Power Feed Kit - Black, 6'
- RAI-PF-K-10-B 14/3 STJW Power Feed Kit - Black, 10'
- RAI-PF-K-15-B 14/3 STJW Power Feed Kit - Black, 15'

Options

Driver Options

** DALI Digitally Addressable Dimming (DALI)

Packaging Options

50PK Full Pallet Pack (50 pcs.)

Finish Options (Standard: Semi-gloss White)

- MB Matte Black
- TXW Textured White
- TXB Textured Black
- ** PXX Other: _____

Ganging Options

ROW Row Mounting

* Standard configuration.

** Consult factory.

*** Custom lumen outputs can be specified. Number based on light engine lumens, not delivered lumens.