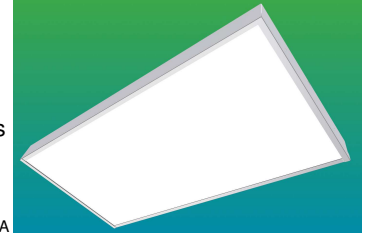


Project / P.O. #
Type
Date
Catalogue #

Application Features

Designed to provide direct illumination suitable for offices, classrooms, hallways, and other general purpose areas, this LED fixture is available in multiple lumen packages and various mounting options. Optional powder-coated wireguards available for areas with higher likelihood of object impacts.



CL-LBS-PS-24-WA

Specifications

Optics

Standard diffuser is a slide-in lighting white opalescent high-impact acrylic lens designed for even, low-glare illumination.

Mounting

Designed for numerous mounting applications, including surface, pendant, chain, V-hanger, or adjustable aircraft cable. A quick-access plate permits ease of installation and convenient maintenance access.

Construction

CNC fabricated code gauge steel housing and end caps.

Finish

Post powder-coated white or galvanized; other finishes also available.

Electrical

CSA/cUL approved electronic components. Long-life LEDs paired to high-efficiency drivers rated to deliver L70+ performance for 50,000 hours. Drivers are 0-10V dimming-capable.

Approvals

Approved to CSA and cUL standards. Suitable for indoor dry locations.

Warranty

5-year limited warranty on LED components. For complete warranty terms, visit: <http://www.customlightingltd.com/resources>



Features

- Energy-saving configurations up to 161 lm/W
- 80+ CRI standard
- 0-10V low voltage dimming standard
- 4000K colour temperature standard
- 120V / 277V / 347V / 480V configurations

Options & Adders

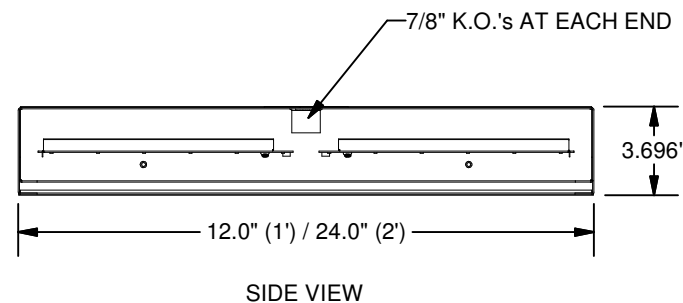
- Adjustable aircraft cable toggle suspension kits
- Emergency lighting battery pack
- Occupancy sensor
- Heavy duty powder-coated wireguard
- Finishes in other colours / textures
- 3000K / 3500K / 5000K colour temperature

Applications

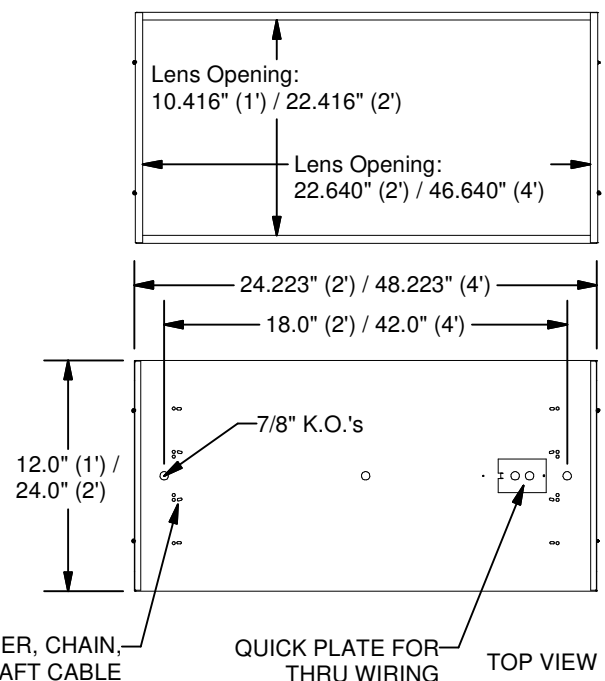
- Offices
- Classrooms
- Hallways
- General Purpose Areas

LED
INDOOR SURFACE LIGHTING

Dimensions



BOTTOM VIEW



Project / P.O. #
Type
Date
Catalogue #

CL-LBS
LED Surface/Pendant Mount Box
 Premium-Grade Surface/Pendant Mount Box Luminaire

Photometrics

Please visit www.customlightingltd.com for photometric reports and IES files.

Performance

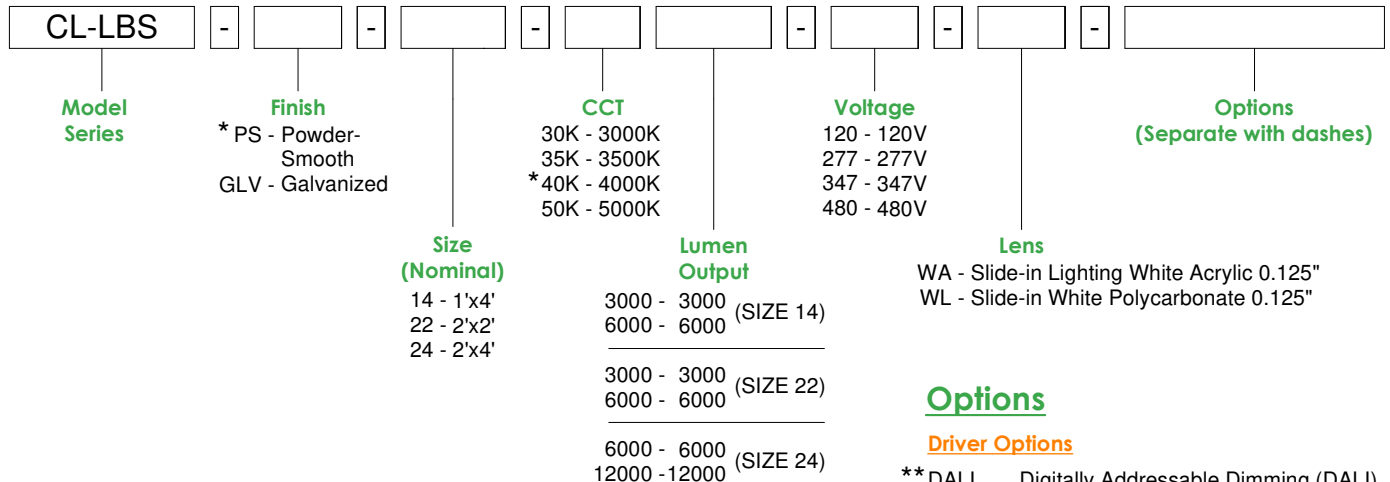
Size	Light Engine Lumens	3000K		3500K		4000K		5000K	
		Power (W)	Efficiency (lm/W)	Power (W)	Efficiency (lm/W)	Power (W)	Efficiency (lm/W)	Power (W)	Efficiency (lm/W)
14	3000	21	146	21	146	20	147	19	156
14	6000	42	143	42	143	41	147	40	151
22	3000	21	146	21	146	20	147	19	156
22	6000	42	143	42	143	41	147	40	151
24	6000	40	151	40	151	39	156	38	161
24	12000	82	145	82	145	79	151	78	155

NOTE: Values based on 120V_{ac} and 25°C ambient temperature.

Lens transmission rate is not included in values shown.

LED INDOOR SURFACE LIGHTING

Ordering Logic



Example:

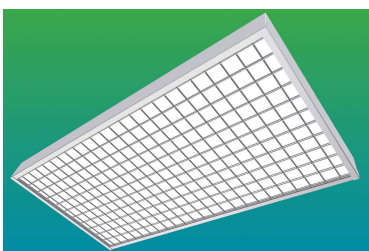
CL-LBS-PS-24-40K6000-120-WA

Mounting Accessories (Order Separately)

- KWIK-LOC KIT-5 Adjustable 1/16" Aircraft Cable Y-shaped Hanger, 5' or less
- KWIK-LOC KIT-10 Adjustable 1/16" Aircraft Cable Y-shaped Hanger, 10' or less
- KWIK-LOC KIT-15 Adjustable 1/16" Aircraft Cable Y-shaped Hanger, 15' or less
- V-HOOK V-shaped Steel Hanger, LFC90 style

Wireguard Adder (Order Separately)

- CL-LBS-14-WG For 1'x4' LED Fixture
- CL-LBS-22-WG For 2'x2' LED Fixture
- CL-LBS-24-WG For 2'x4' LED Fixture



CL-LBS-PS-24-WA-WG

Options

Driver Options

- ** DALI Digitally Addressable Dimming (DALI)
- EMERG Emergency Lighting Battery Pack

Packaging Options

- 25PK Full Pallet Pack (25 pcs.)

Wireguard Options (Standard: No Wireguard)

- WG Heavy Duty White Wireguard

Finish Options (Standard: Semi-gloss White)

- MB Matte Black
- TXW Textured White
- TXB Textured Black
- ** PXX Other: _____

Wiring Options

- †BX BX Whip (6')
- †PF 14/3 SOOW Cabtire (6')
- OCC Occupancy Sensor - Cold Temp. (-40°C)

† Not for use in surface mount applications.

* Standard configuration.

** Consult factory.