

CUSTOM LIGHTING LTD.

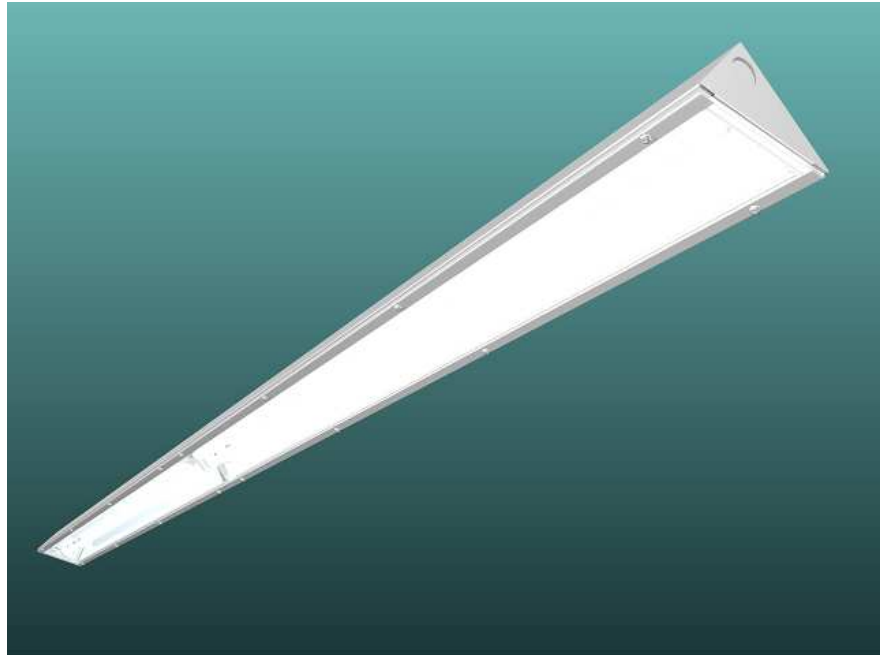
M A N U F A C T U R I N G • D E S I G N • T E C H N O L O G Y

LS-T5HO-SL (8')

T5HO Sign Light

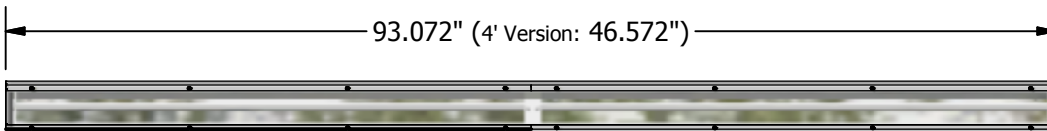
Engineered for two T5HO 54w lamps and high-reflectance Miro IV specular reflectors, the LS-T5HO-SL (8') is designed to illuminate signs, billboards, and building walls while maximizing energy savings and providing high lumens output.

Housing constructed from 20 gauge post-painted steel. A gasketed clear Lexan or acrylic lens shields the reflector and lamps. An optional wall mounting kit is available.

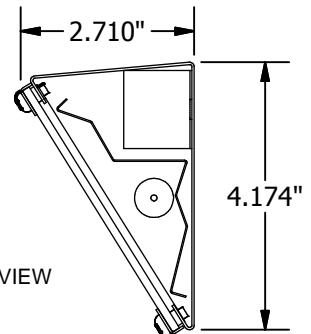


LS-T5HO-SL (8')

All fixtures CSA approved.



BOTTOM VIEW



END VIEW

Ordering Logic (Choose from available options)

MODEL	FINISH	REFLECTOR MATERIAL	NO. LAMPS / FIXTURE	BALLAST TYPE	LENS STYLE	MOUNTING	VOLTAGE
LS-T5HO-SL							
LS-T5HO-SL	<input type="checkbox"/> PS - POWDER SMOOTH	<input type="checkbox"/> M - MIRO IV	<input type="checkbox"/> 141 - 1 LAMP (1'x4') <input type="checkbox"/> 182 - 2 LAMPS (1'x8')	<input type="checkbox"/> OI-2 - ELECTRONIC 2-LAMP	<input type="checkbox"/> K2 - K12 ACRYLIC <input type="checkbox"/> CL - CLEAR ACRYLIC <input type="checkbox"/> LX - CLEAR LEXAN	<input type="checkbox"/> 1 - SURFACE <input type="checkbox"/> 2 - PENDANT (Mounting Kit)	<input type="checkbox"/> 1 - 120 VOLT <input type="checkbox"/> 2 - 277 VOLT <input type="checkbox"/> 3 - 347 VOLT



Custom Lighting Ltd. 7923 Coronet Road, Edmonton, AB, T6E 4N7
 Tel: (780) 463-8014 Fax: (780) 463-2216 Email: sales@customlightingltd.com www.customlightingltd.com