

# CUSTOM LIGHTING LTD.

M A N U F A C T U R I N G • D E S I G N • T E C H N O L O G Y

## CL-8-VAP (2 Lamp) T8 & T5HO Gasketed Enclosure

- IP65 Certified (Low Pressure Hose Test)
- UL Recognized Component Listed
- Low profile designed for T8 and T5 lamps
- Poured in place gasket and tamper resistant stainless steel or polycarbonate latches seal the enclosure from most hostile environments
- Stainless steel mounting hardware reduces installation time and prevents drilling holes through the housing
- Clear polycarbonate lineal ribbed lens resist breakage to reduce replacement and maintenance costs



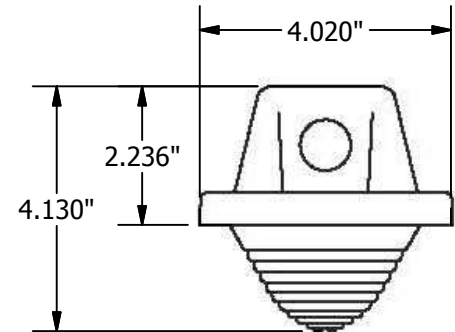
CL-8-VAP (Both 2 Lamp & 4 Lamp versions shown)

Ideal for:

- Food Processing Facilities
- Commercial Kitchens
- Industrial Facilities
- Parking Garages
- Car Washes
- Swimming Pools
- Tunnels

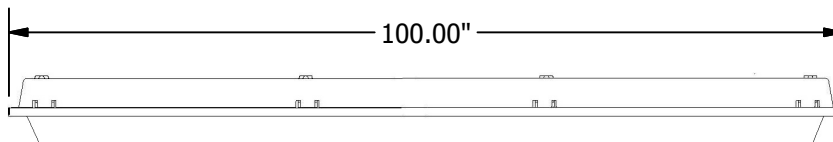


Stainless Steel Latch



END VIEW

SIDE VIEW



### Ordering Logic (Choose from available options)

MODEL	STRIP FINISH	REFLECTOR MATERIAL	NO. LAMPS / LAMP TYPE	VOLTAGE	GASKETED ENCLOSURE
CL-8	<input type="checkbox"/> PFW - Pre-Finished White <input type="checkbox"/> GLV - Galvanized	<input type="checkbox"/> M - Miro IV <input type="checkbox"/> A - Anolux-1 <input type="checkbox"/> A90 - A90 White <input type="checkbox"/> BC - Ballast Cover	<input type="checkbox"/> 232 - 2 Lamp (T8 32w) <input type="checkbox"/> 254 - 2 Lamp (T5HO 54w)	<input type="checkbox"/> 120 - 120 Volt <input type="checkbox"/> 277 - 277 Volt <input type="checkbox"/> 347 - 347 Volt <input type="checkbox"/> XX - No Ballast	<input type="checkbox"/> VAP - IP65 Vapourproof Gasketed Enclosure



**Custom Lighting Ltd.** 7923 Coronet Road, Edmonton, AB, T6E 4N7  
 Tel: (780) 463-8014 Fax: (780) 463-2216 Email: sales@customlightingltd.com [www.customlightingltd.com](http://www.customlightingltd.com)