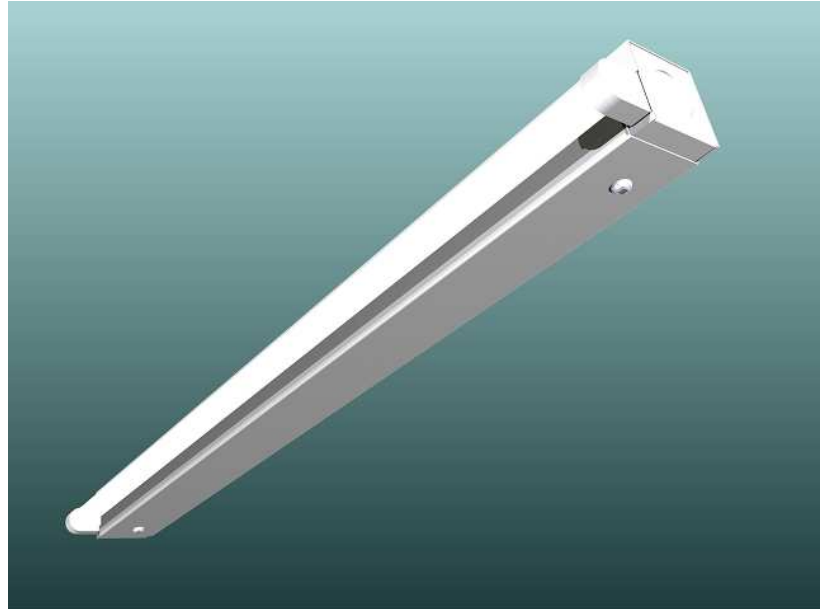


## CL5N-S-NARROW (2')

### T5 Side Mount Strip

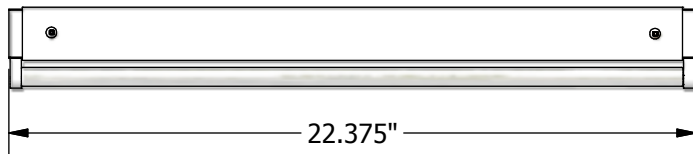
Engineered for one T5 fluorescent lamp, the CL5N-S-NARROW provides a cost-effective lighting solution for compact spaces such as under counters and within cabinets.

Housing built from 22 gauge pre-painted steel. The luminaire is powered by a small 120v electronic ballast. Standard 1/2" knock-outs are provided in each end of the fixture for ease of installation.



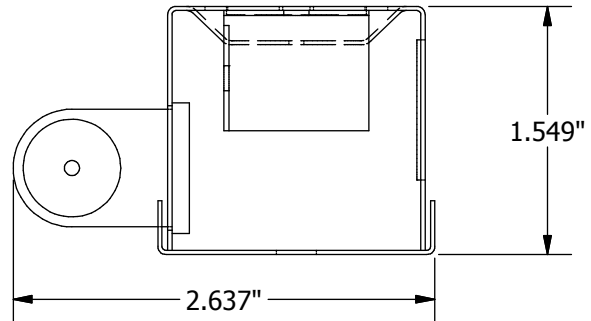
CL5N-S-NARROW (2')

All fixtures **CSA** approved.



Length (1'): 12.062"  
 Length (3'): 34.187"  
 Length (4'): 46.000"  
 Length (8'): 92.000"

BOTTOM VIEW



SIDE VIEW

### Ordering Logic (Choose from available options)

