

# CUSTOM LIGHTING LTD.

M A N U F A C T U R I N G • D E S I G N • T E C H N O L O G Y

## CL6 (4') T8 Cove Fixture

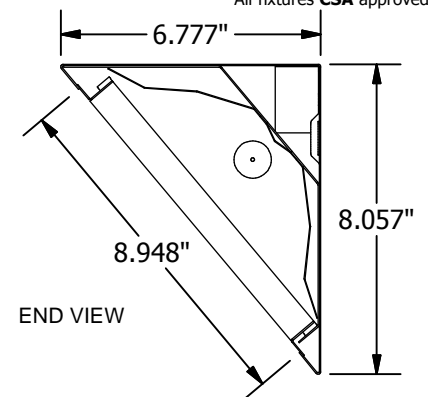
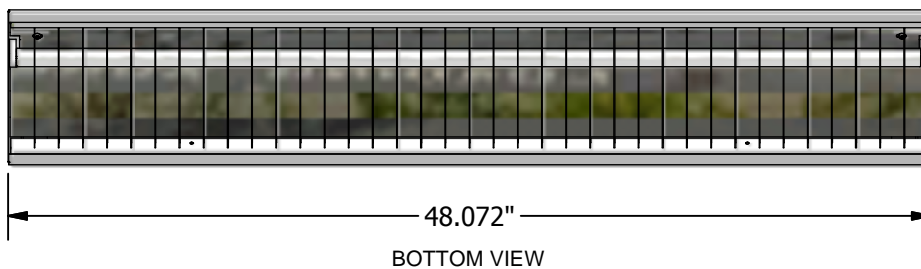
Designed for one or two T8 32w lamps and a high-reflectance Miro IV specular reflector, the CL6 (4') is best suited for unobtrusively illuminating stairwells and hallways while increasing energy savings and providing high lumens output.

Housing constructed from 20 gauge post-painted steel. A bladed louver or K12 acrylic lens protects the lamps and directs or refracts the light to reduce glare.



CL6 (4')

All fixtures **CSA** approved.



### Ordering Logic (Choose from available options)

CL6	FINISH	REFLECTOR MATERIAL	NO. LAMPS / FIXTURE	BALLAST TYPE	LENS STYLE	MOUNTING	VOLTAGE
<b>CL6</b>	<input type="checkbox"/> PS - POWDER SMOOTH	<input type="checkbox"/> M - MIRO IV <input type="checkbox"/> A90 - A90 White	<input type="checkbox"/> 141 - 1 LAMP <input type="checkbox"/> 142 - 2 LAMPS	<input type="checkbox"/> OI-2 - ELECTRONIC 2-LAMP	<input type="checkbox"/> LV - BLADED LOUVER <input type="checkbox"/> K2 - K12 ACRYLIC <input type="checkbox"/> LX - CLEAR LEXAN	<input type="checkbox"/> 1 - SURFACE	<input type="checkbox"/> 1 - 120 VOLT <input type="checkbox"/> 2 - 277 VOLT <input type="checkbox"/> 3 - 347 VOLT



**Custom Lighting Ltd.** 7923 Coronet Road, Edmonton, AB, T6E 4N7  
Tel: (780) 463-8014 Fax: (780) 463-2216 Email: sales@customlightingltd.com [www.customlightingltd.com](http://www.customlightingltd.com)