

CUSTOM LIGHTING LTD.

M A N U F A C T U R I N G • D E S I G N • T E C H N O L O G Y

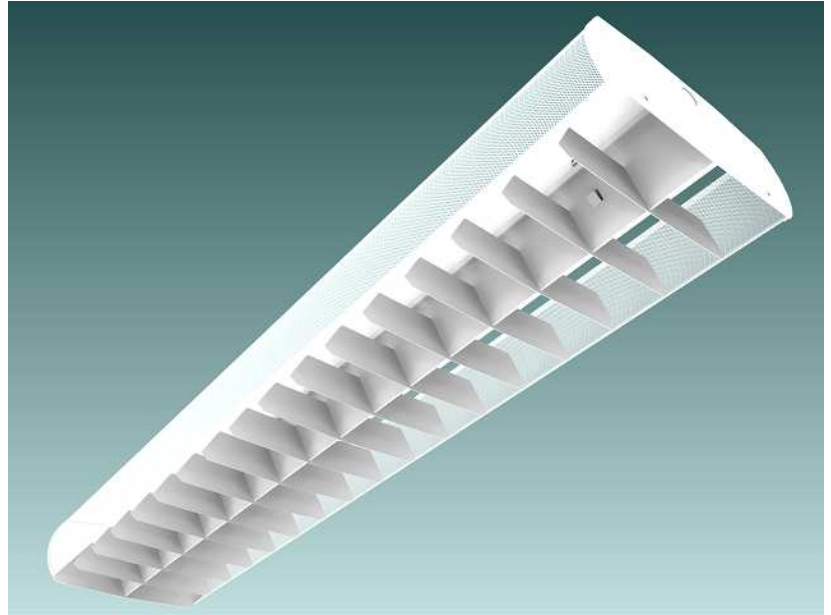
EPS-2000

T8 Fixture

Engineered for T8 technology, the EPS-2000 is ideal for schools or general purpose lighting with direct and indirect light distribution.

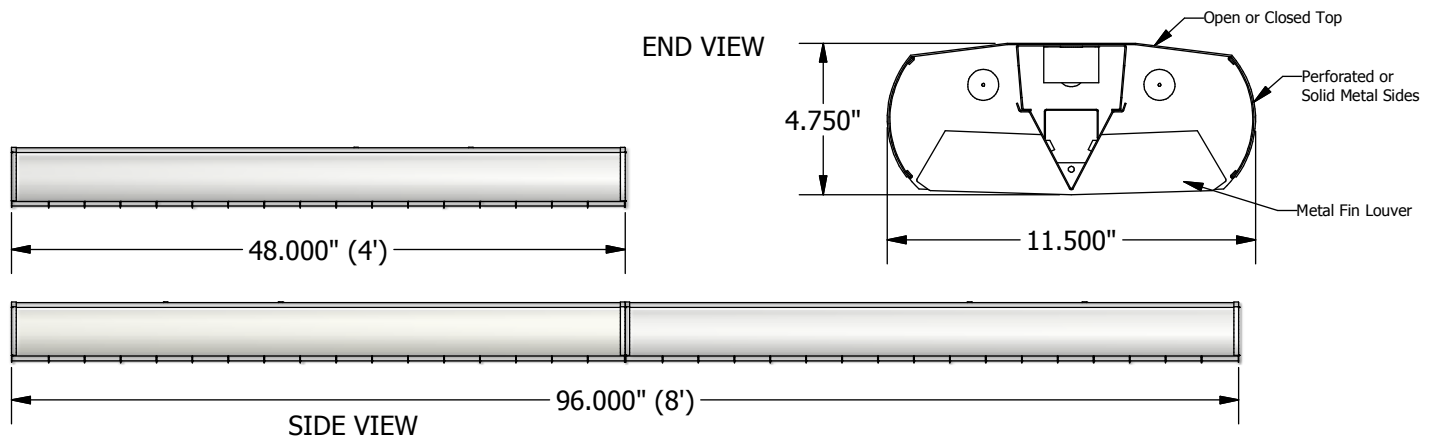
Housing built from 20 gauge post-painted steel. Perforated side panels offer moderate side illumination. The fixture can be built with an open or closed top to provide the option of indirect uplight.

Designed for surface, stem, chain, or aircraft-cable mounting. Available in individual or continuous row mounting applications.

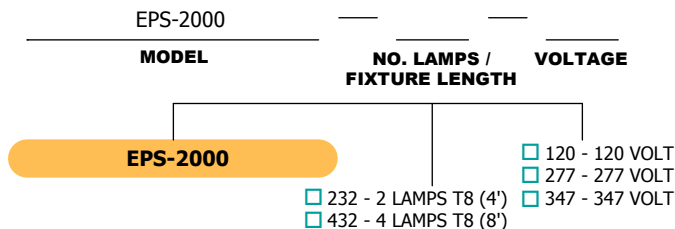


EPS-2000 (4')

All fixtures **CSA** approved.



Ordering Logic (Choose from available options)



Options

Housing Finish

- Powder-Coated White (Standard)
- Other Colour (Specify):

Row Mounting

- Single Mounting
- Row Mounting

Fixture Top

- Open Top (Standard)
- Closed Top (No Indirect Uplight)

Side Panels

- Perforated (Standard)
- Solid (No Indirect Side Light)



Custom Lighting Ltd. 7923 Coronet Road, Edmonton, AB, T6E 4N7
 Tel: (780) 463-8014 Fax: (780) 463-2216 Email: sales@customlightingltd.com www.customlightingltd.com