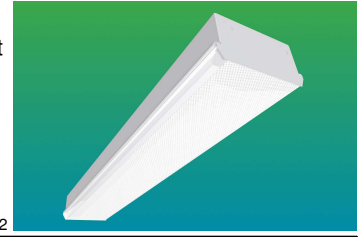


Project / P.O. #
Type
Date
Catalogue #

**Application Features**

Designed for interior surface or pendant-mounting; fixture best suited for illuminating hallways, classrooms, stairwells, and other general purpose areas.



CL-LWRAP-PS-41-K12

**Specifications**

**Optics**

Standard diffuser is clear acrylic with a K12 prismatic bottom and ribbed linear sides designed for even, low-glare illumination. Easy, tool-free removal for maintenance and cleaning.

**Mounting**

Knock-outs and holes provided for stem or pendant mounting; surface mounting over electrical junction box. Suitable for individual or continuous row mounting.

**Construction**

CNC fabricated code gauge steel housing and ends, spot-welded together for rigidity and clean appearance. Product can optionally be fabricated with pre-painted high-reflectance white steel. Knockouts are provided for conduit attachment.

**Finish**

White; post powder-coated housing. Pre-painted high-reflectance white option.

**Electrical**

CSA/cUL approved electronic components. Long-life LEDs paired to high-efficiency drivers rated to deliver L80 performance for 50,000 hours. Drivers are 0-10V dimming-capable.

**Approvals**

Approved to CSA and cUL standards. Suitable for indoor dry locations.

**Warranty**

5-year limited warranty on LED components. For complete warranty terms, visit: <http://www.customlightingltd.com/resources>

**Features**

- Energy-saving configurations up to 133 lm/W
- 80+ CRI standard
- 0-10V low voltage dimming standard
- 4000K colour temperature standard
- 120V / 277V / 347V / 480V configurations

**Options & Adders**

- Emergency lighting battery pack
- Occupancy sensor
- Finishes in other colours / textures
- 3000K / 3500K / 5000K colour temperature

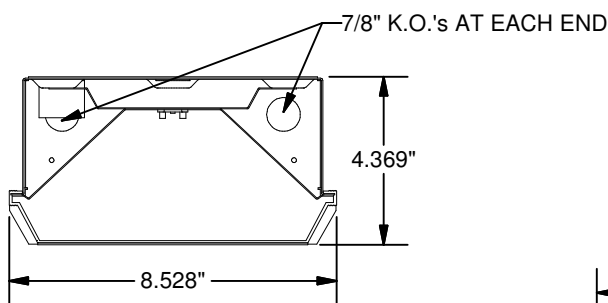
**Applications**

- Hallways
- Stairwells
- Classrooms
- Kitchens
- Utility Areas
- General Purpose Areas

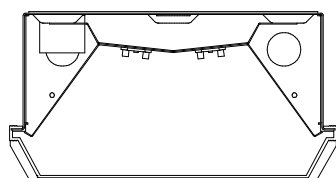


LED  
INDOOR SURFACE LIGHTING

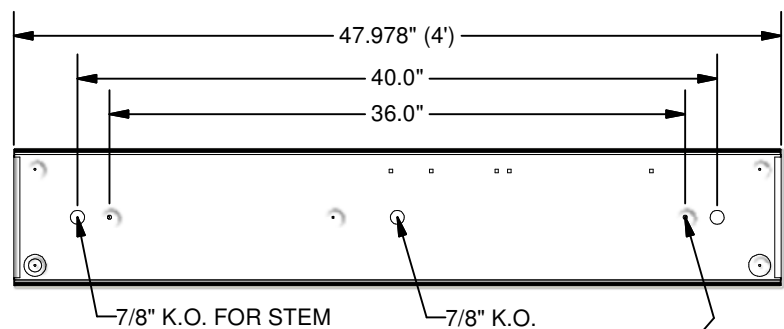
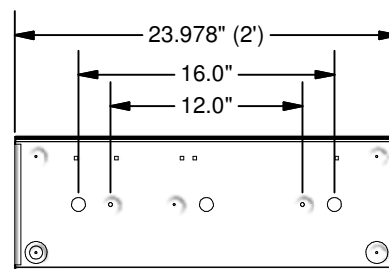
**Dimensions**



1-ROW LED



2-ROW LED



1/4" HOLE FOR PENDANT



Project / P.O. #
Type
Date
Catalogue #

**CL-LWRAP**  
**LED Surface/Pendant Mount Wraparound**  
 Premium-Grade Surface/Pendant Mount Wraparound Luminaire

**Photometrics**

Please visit [www.customlightingltd.com](http://www.customlightingltd.com) for photometric reports and IES files.

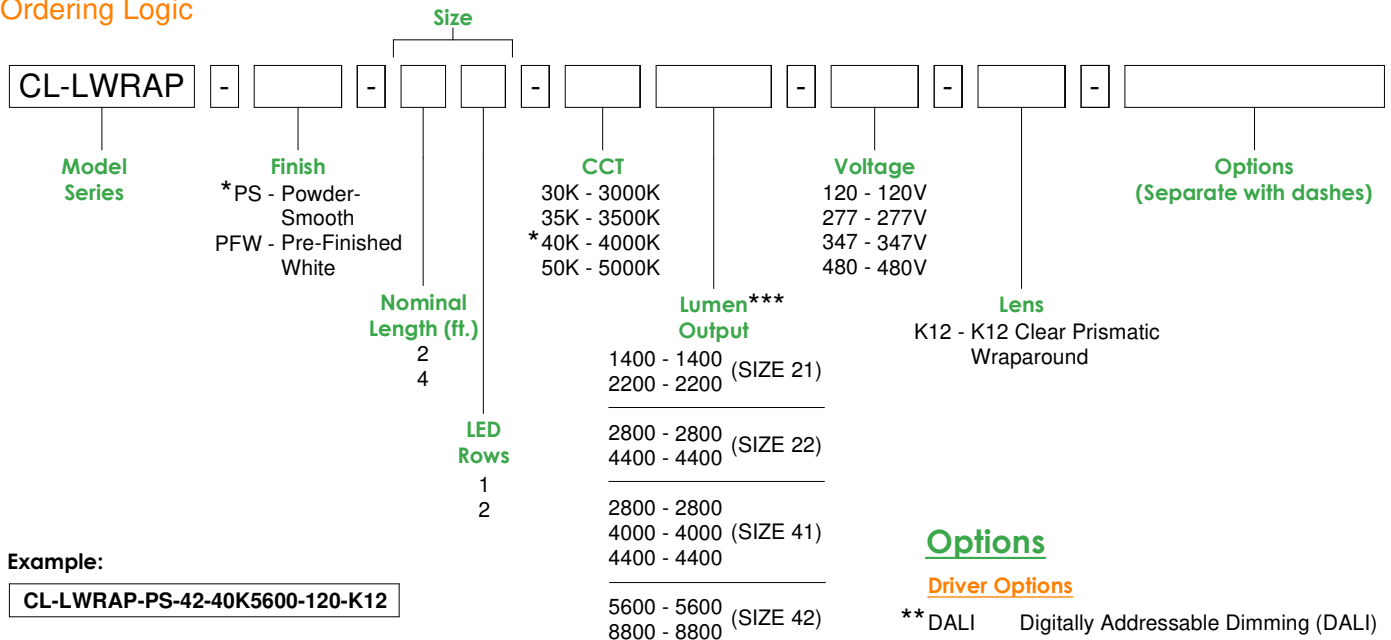
**Performance**

**NOTE:**

Values based on 120V<sub>ac</sub> and 25°C ambient temperature.

Size	Light Engine Lumens	3000K			3500K			4000K			5000K		
		Power (W)	Delivered Lumens	Efficiency (lm/W)	Power (W)	Delivered Lumens	Efficiency (lm/W)	Power (W)	Delivered Lumens	Efficiency (lm/W)	Power (W)	Delivered Lumens	Efficiency (lm/W)
21	1400	14	1206	87	14	1206	90	13	1206	95	13	1206	95
21	2200	17	1895	116	16	1895	120	16	1895	121	16	1895	123
22	2800	26	2412	94	25	2412	98	23	2412	104	23	2412	104
22	4400	32	3791	121	31	3791	126	30	3791	129	30	3791	130
41	2800	26	2412	94	25	2412	98	23	2412	104	23	2412	104
41	4000	29	3446	122	28	3446	127	27	3446	130	27	3446	131
41	4400	32	3791	121	31	3791	126	30	3791	129	30	3791	130
42	5600	49	4824	98	47	4824	103	45	4824	109	45	4824	109
42	8800	62	7581	124	60	7581	128	58	7581	131	58	7581	133

**Ordering Logic**



**Options**

**Driver Options**

- \*\* DALI Digitally Addressable Dimming (DALI)
- EMERG Emergency Lighting Battery Pack

**Packaging Options**

- 30PK Full Pallet Pack (30 pcs.)

**Finish Options** (Standard: Semi-gloss White)

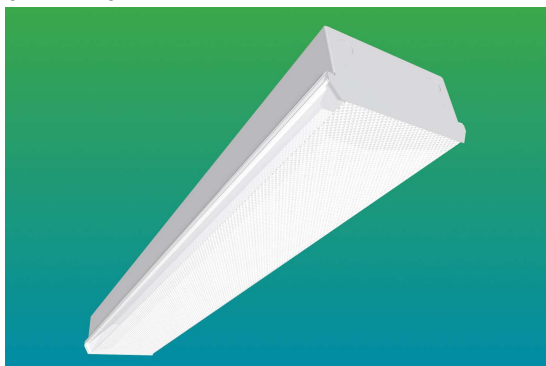
- MB Matte Black
- TXW Textured White
- TXB Textured Black
- \*\* PXX Other: \_\_\_\_\_

**Wiring Options**

- † BX BX Whip (6')
- † PF 14/3 SOOW Cabtire (6')
- OCC Occupancy Sensor

† Not for use in surface mount applications.  
 \* Standard configuration.  
 \*\* Consult factory.  
 \*\*\* Custom lumen outputs can be specified. Number based on light engine lumens, not delivered lumens.

CL-LWRAP-PS-41-K12



LED INDOOR SURFACE LIGHTING