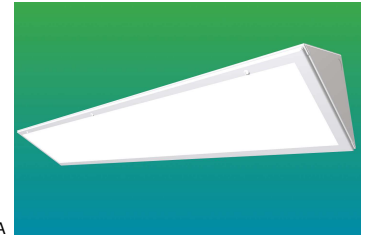


Project / P.O. #
Type
Date
Catalogue #

Application Features

Designed for interior wall or ceiling corner surface-mounting; fixture best suited for unobtrusively illuminating stairwells, hallways and vanities.



CL6L-PS-41-HDWA

Specifications

Optics

Standard diffuser is a lighting white opalescent high-impact acrylic lens designed for even, low-glare illumination.

Mounting

Mounting holes are provided for ceiling or wall surface mounted applications.

Construction

CNC fabricated 20 gauge steel housing and ends; 18 gauge steel frame. Components spot-welded together for rigidity and clean appearance. Knockouts are provided for conduit attachment.

Finish

White; post powder-coated housing and frame.

Electrical

CSA/cUL approved electronic components. Long-life LEDs paired to high-efficiency drivers rated to deliver L80 performance for 50,000 hours. Drivers are 0-10V dimming-capable.

Approvals

Approved to CSA and cUL standards. Suitable for indoor dry locations.

Warranty

5-year limited warranty on LED components. For complete warranty terms, visit: <http://www.customlightingltd.com/resources>

Features

- Energy-saving configurations up to 155 lm/W
- 80+ CRI standard
- 0-10V low voltage dimming standard
- 4000K colour temperature standard
- 120V / 277V / 347V / 480V configurations

Options & Adders

- Emergency lighting battery pack
- Occupancy sensor
- Tamper-proof fasteners
- Finishes in other colours / textures
- 3000K / 3500K / 5000K colour temperature

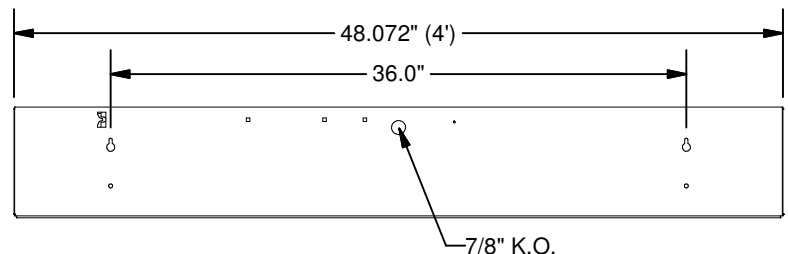
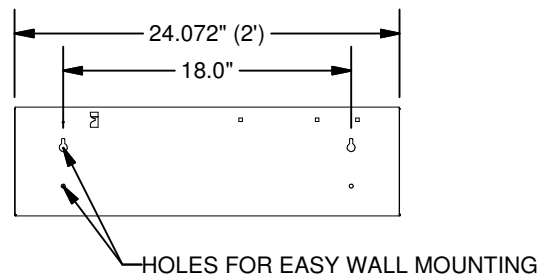
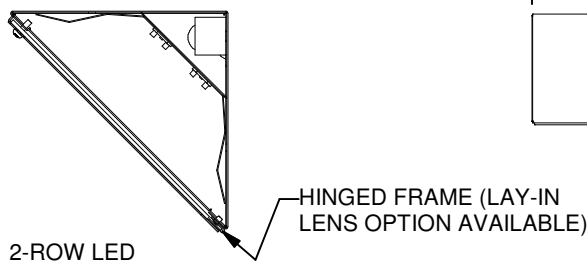
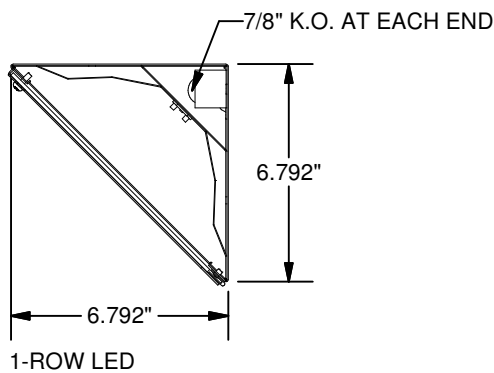
Applications

- Stairwells
- Hallways
- Vanities
- Hotels



LED
INDOOR SURFACE LIGHTING

Dimensions



Project / P.O. #
Type
Date
Catalogue #

CL6L
LED Surface Ceiling/Wall Mount Cove
Premium-Grade Surface Mount Cove Luminaire

Photometrics

Please visit www.customlightingltd.com for photometric reports and IES files.

Performance

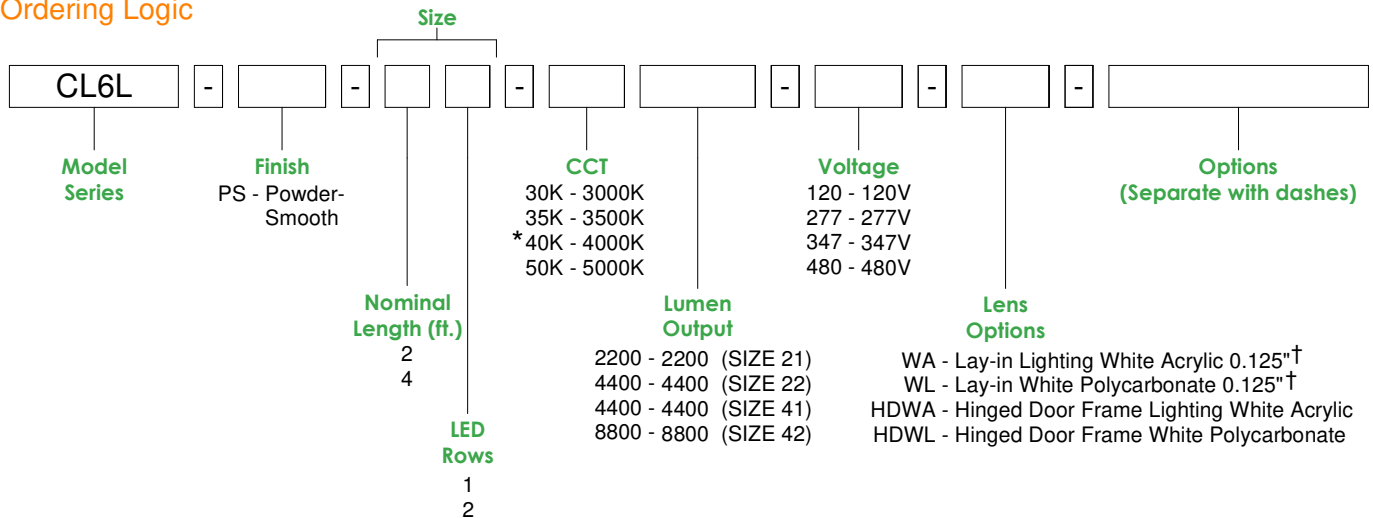
Size	Light Engine Lumens	3000K		3500K		4000K		5000K	
		Power (W)	Efficiency (lm/W)	Power (W)	Efficiency (lm/W)	Power (W)	Efficiency (lm/W)	Power (W)	Efficiency (lm/W)
21	2200	18	123	18	123	17	131	17	131
22	4400	36	121	35	125	34	130	34	130
41	4400	31	144	30	149	29	149	29	155
42	8800	61	146	59	149	57	155	56	155

NOTE: Values based on 120V_{ac} and 25°C ambient temperature.

Lens transmission rate determined by options chosen and is not included in values shown.

LED
INDOOR SURFACE LIGHTING

Ordering Logic



Example:

CL6L-PS-41-40K4400-120-HDWA

Options

Driver Options

- ** DALI Digitally Addressable Dimming (DALI)
- EMERG Emergency Lighting Battery Pack

Packaging Options

- 30PK Full Pallet Pack (30 pcs.)

Finish Options (Standard: Semi-gloss White)

- MB Matte Black
- TXW Textured White
- TXB Textured Black
- ** PXX Other: _____

Construction Options

- † CEIL Ceiling Mounting
- TAMP Tamper-Proof Fasteners
- OCC Occupancy Sensor

* Standard configuration.
 ** Consult factory.
 † For lay-in lenses, please inform when fixture is to be ceiling mounted.

CL6L-PS-41-HDWA

