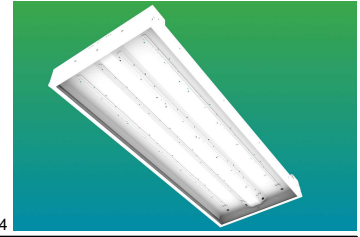


Project / P.O. #
Type
Date
Catalogue #

**Application Features**

Ideal for high to low bay applications, this LED fixture is available in multiple lumen packages and various mounting options. Optional clear polycarbonate or white translucent lenses and powder-coated wireguards available for areas with higher likelihood of object impacts or debris. Operational ambient temperature range is from -20°C to 40°C.



CL-LLVSA-PFW-44

**Specifications**

**Mounting**

Designed for numerous mounting applications, including chain, V-hanger, adjustable aircraft cable (ordered separately), and surface (optional mounting kit).

**Construction**

CNC fabricated 22 gauge steel housing and ends, with integral ventilation slots and heat sinks.

**Finish**

Pre-painted high-reflectance white or galvanized housing.

**Electrical**

CSA/cUL approved electronic components. State-of-the-art LEDs paired to high-efficiency drivers rated to deliver L70+ performance for 50,000 hours at 40°C ambient temperature.

**Approvals**

Approved to CSA and cUL standards. Suitable for indoor dry locations.

**Warranty**

5-year limited warranty on LED components. For complete warranty terms, visit: <http://www.customlightingltd.com/resources>

**Features**

- Energy-saving configurations up to 150 lm/W
- -20°C to 40°C operational ambient temperature range
- 80+ CRI standard
- 0-10V low voltage dimming standard
- 5000K colour temperature standard
- 120V / 277V / 347V / 480V configurations

**Options & Adders**

- Adjustable aircraft cable toggle suspension kits
- Surface mounting kit
- Emergency lighting battery pack
- Occupancy sensor
- Heavy duty powder-coated wireguard
- Clear polycarbonate or white translucent lenses
- 3000K / 3500K / 4000K colour temperature

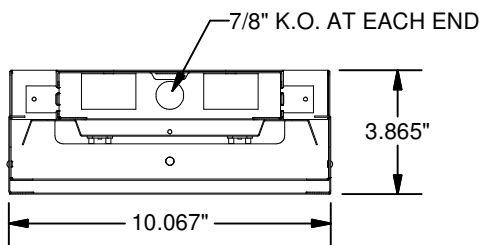
**Applications**

- Warehouses and distribution centres
- Manufacturing facilities and shops
- Supermarkets
- Gymnasiums

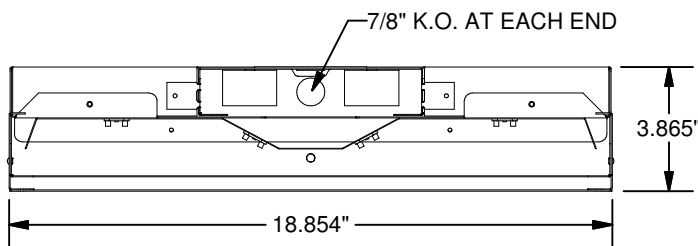


LED HIGHBAY LIGHTING

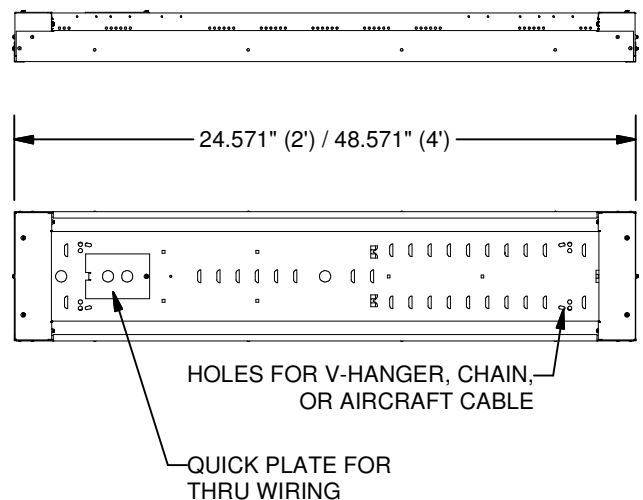
**Dimensions**



2-ROW LED



4-ROW LED



HOLES FOR V-HANGER, CHAIN, OR AIRCRAFT CABLE

QUICK PLATE FOR THRU WIRING



Project / P.O. #
Type
Date
Catalogue #

**CL-LLVSA**  
LED Surface/Pendant Mount High-Bay  
Commercial-Grade High or Low Bay Luminaire

**Photometrics**

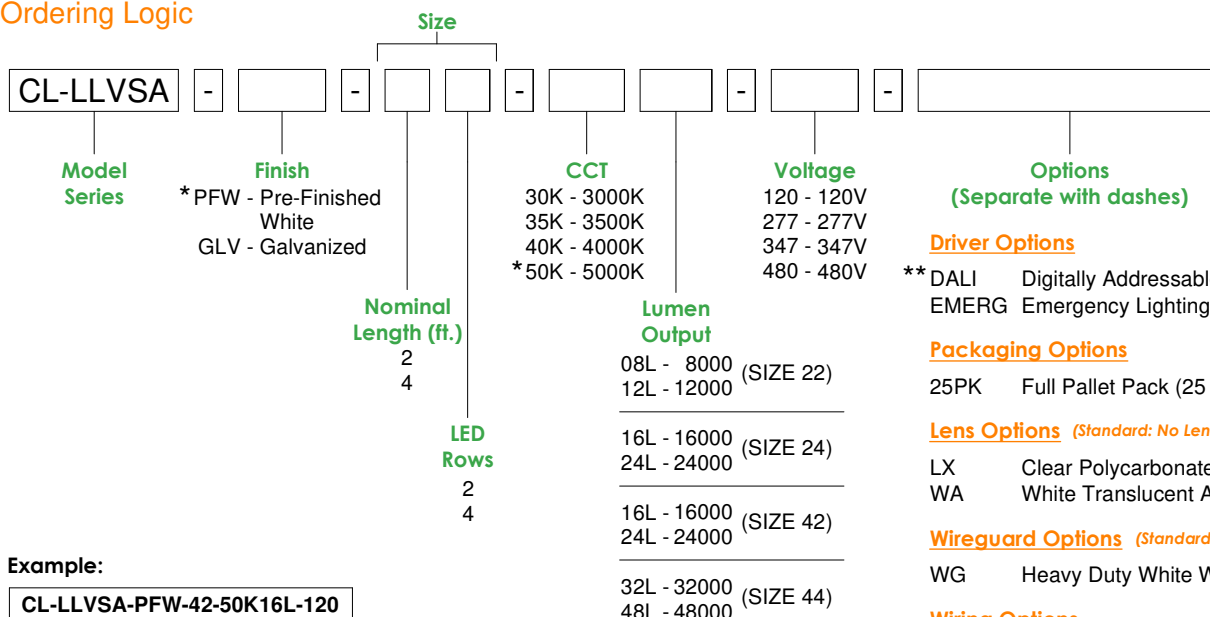
Please visit [www.customlightingltd.com](http://www.customlightingltd.com) for photometric reports and IES files.

**Performance**

Size	Light Engine Lumens	3000K		3500K		4000K		5000K	
		Power (W)	Efficiency (lm/W)	Power (W)	Efficiency (lm/W)	Power (W)	Efficiency (lm/W)	Power (W)	Efficiency (lm/W)
22	8000	68	117	66	121	64	125	64	125
22	12000	91	131	88	136	86	139	85	141
24	16000	142	112	139	116	134	120	134	120
24	24000	183	131	176	136	172	139	171	141
42	16000	116	138	112	144	109	147	107	150
42	24000	183	131	176	136	172	139	171	141
44	32000	232	138	223	144	218	147	215	150
44	48000	366	131	352	136	345	139	341	141

**NOTE:** Values based on 120V<sub>ac</sub>, no lens, no wireguard, and 25°C ambient temperature.

**Ordering Logic**



**Mounting Accessories (Order Separately)**

- CL-LLVSA-PFW-SMK Surface Mounting Kit (Pre-Finished White)
- CL-LLVSA-GLV-SMK Surface Mounting Kit (Galvanized)
- KWIK-LOC KIT-5 Adjustable 1/16" Aircraft Cable Y-shaped Hanger, 5' or less
- KWIK-LOC KIT-10 Adjustable 1/16" Aircraft Cable Y-shaped Hanger, 10' or less
- KWIK-LOC KIT-15 Adjustable 1/16" Aircraft Cable Y-shaped Hanger, 15' or less
- V-HOOK V-shaped Steel Hanger, LFC90 style

**Lens & Wireguard Adders (Order Separately)**

- CL-LLVSA-22-xx For 2' 2-ROW LED Fixture
- CL-LLVSA-24-xx For 2' 4-ROW LED Fixture
- CL-LLVSA-42-xx For 4' 2-ROW LED Fixture
- CL-LLVSA-44-xx For 4' 4-ROW LED Fixture

Replace xx above with:

- LX Clear Polycarbonate 0.125" Lens
- WA White Translucent Acrylic 0.125" Lens
- WG Heavy Duty Powder-Coated White Wireguard

- † BX BX Whip (6')
- † PF 14/3 SOOW Cabtire (6')
- OCC Occupancy Sensor - Cold Temp. (-40°C)
- † Not for use in surface mount applications.
- \* Standard configuration.
- \*\* Consult factory.

