

CL-LED-UP-DOWN-WALL Exterior Direct/Indirect LED Fixture

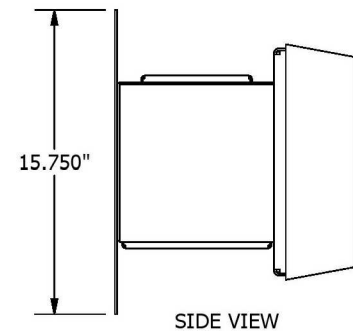
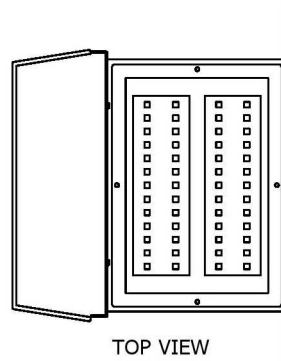
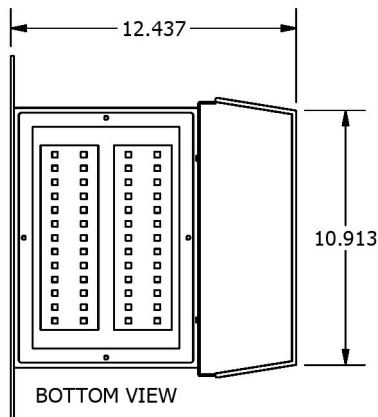
Designed for illumination of exterior surfaces such as buildings and walkways, the CL-LED-UP-DOWN-WALL utilizes LED lighting to provide reliable lighting in locations with less than desirable temperature and weather conditions.

The housing is built from durable yet light post-painted aluminum. LEDs are protected from the environment by framed 1/8" thick tempered glass on the top and bottom of the housing.



CL-LED-UP-DOWN-WALL

All fixtures CSA approved.



Ordering Logic (Choose from available options)

Model	Voltage	Lumen Output	Fixture Colour
CL-LED-UP-DOWN-WALL	<input type="checkbox"/> 120/277V	<input type="checkbox"/> 1400lm (10.2W)	<input type="checkbox"/> Black
	<input type="checkbox"/> 347V	<input type="checkbox"/> 2100lm (15.3W)	<input type="checkbox"/> White
		<input type="checkbox"/> 2200lm (14.5W)	<input type="checkbox"/> Other (Please Specify)
		<input type="checkbox"/> 2800lm (20.4W)	
		<input type="checkbox"/> 3300lm (21.7W)	
		<input type="checkbox"/> 4000lm (28.2W)	
		<input type="checkbox"/> 4400lm (28.9W)	
		<input type="checkbox"/> 6000lm (42.3W)	
		<input type="checkbox"/> 8000lm (56.4W)	