

# CUSTOM LIGHTING LTD.

M A N U F A C T U R I N G • D E S I G N • T E C H N O L O G Y

## Rai Lite™ D2 T5HO or T8 Direct Fixture

The Rai Lite D2 frosted lens and mounting kit creates a uniquely attractive direct lighting system using off-the-shelf fluorescent strip fixtures.

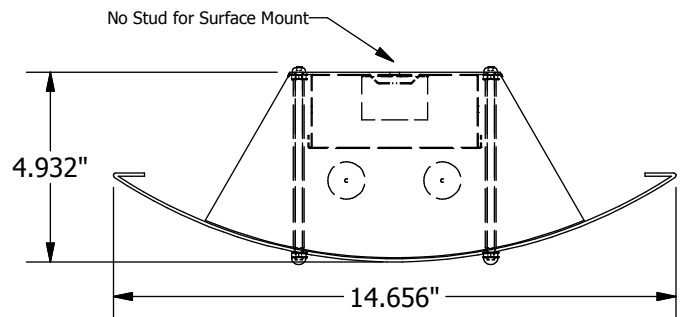
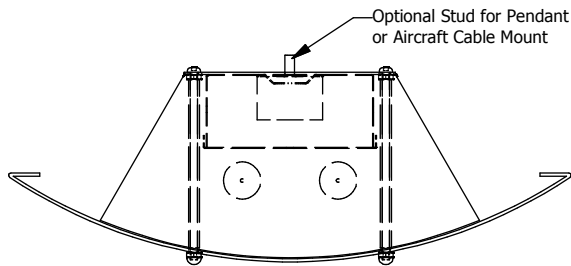
Each D2 kit comes standard with a 4' or 8' UV-inhibiting frosted acrylic lens and brushed aluminum nuts for mounting. Accessories are available for continuous row mounting and for pendant or cable suspension.

The D2 is an excellent choice for open or higher-ceiling environments, or where direct and bright light is desired. Applications include retail stores, libraries, churches, higher-ceiling offices, and common areas. The D2 can also be used in wall-mounting applications.

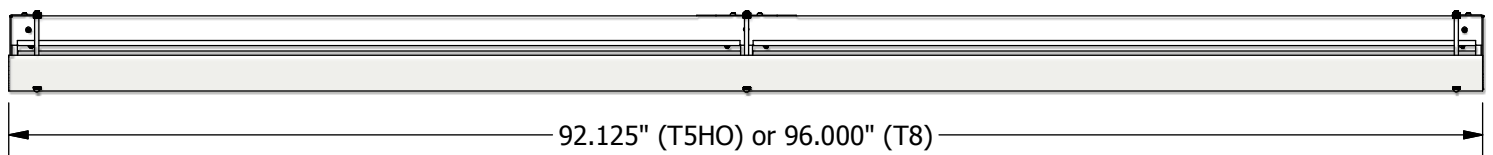
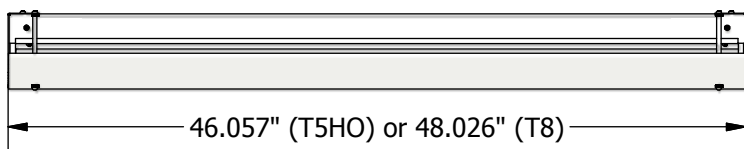


RAI-D2 (4')

All fixtures **CSA** approved.



END VIEW



SIDE VIEW



**Custom Lighting Ltd.** 7923 Coronet Road, Edmonton, AB, T6E 4N7  
Tel: (780) 463-8014 Fax: (780) 463-2216 Email: sales@customlightingltd.com [www.customlightingltd.com](http://www.customlightingltd.com)

# Rai Lite™ D2 Ordering Form

## D2 Kit Options

LENGTH (Quantity)	LAMP TYPE	NO. OF END PLATES	NO. OF JOINER PLATES
<input type="checkbox"/> 4' _____	<input type="checkbox"/> T5HO (46") <input type="checkbox"/> T8 (48")	<input type="checkbox"/> 2 per Kit <input type="checkbox"/> Other (Specify Quantity): _____	<input type="checkbox"/> 1 per Kit (for Ganging) <input type="checkbox"/> Other (Specify Quantity): _____
<input type="checkbox"/> 8' _____	<input type="checkbox"/> T5HO (92") <input type="checkbox"/> T8 (96")	<input type="checkbox"/> 2 per Kit <input type="checkbox"/> Other (Specify Quantity): _____	<input type="checkbox"/> 2 per Kit (1 for Center Support 1 for Ganging) <input type="checkbox"/> Other (Specify Quantity): _____

## Strip Options

STRIP REQUIRED?	LAMP TYPE	NO. OF LAMPS	VOLTAGE
<input type="checkbox"/> Strip Required (fill in following information) <input type="checkbox"/> No Strip Required (continue to next section)	<input type="checkbox"/> T5HO 54w (Lamps Not Included) <input type="checkbox"/> T8 32w Standard (Lamps Not Included)	<input type="checkbox"/> 1 Lamp (per 4' section) <input type="checkbox"/> 2 Lamps (per 4' section -- Recommended)	<input type="checkbox"/> 120V <input type="checkbox"/> 277V <input type="checkbox"/> 347V

## Mounting Options

STYLE	CEILING TYPE	LENGTH	QUANTITY	POWER FEED KIT REQUIRED?	QUANTITY
<input type="checkbox"/> Surface					
<input type="checkbox"/> Pendant	<input type="checkbox"/> Solid Ceiling <input type="checkbox"/> T-Bar	<input type="checkbox"/> 18" <input type="checkbox"/> 36" <input type="checkbox"/> 72"	<input type="checkbox"/> 2 per Strip <input type="checkbox"/> Other (Specify Quantity): _____	<input type="checkbox"/> Power Feed Kit Required <input type="checkbox"/> No Kit Required	<input type="checkbox"/> 1 per Strip <input type="checkbox"/> Other (Specify Quantity): _____
<input type="checkbox"/> Aircraft Cable	<input type="checkbox"/> Solid Ceiling <input type="checkbox"/> T-Bar	<input type="checkbox"/> 72" <input type="checkbox"/> 144"	<input type="checkbox"/> 2 per Strip <input type="checkbox"/> Other (Specify Quantity): _____	<input type="checkbox"/> Power Feed Kit Required <input type="checkbox"/> No Kit Required	<input type="checkbox"/> 1 per Strip <input type="checkbox"/> Other (Specify Quantity): _____



7923 Coronet Road, Edmonton, AB, T6E 4N7  
 Tel: (780) 463-8014 Fax: (780) 463-2216

Custom Lighting Ltd. has provided interior and exterior lighting solutions for institutional, commercial, retail, industrial, and multi-residential projects since 1987. State of the art equipment and a 14,000 square foot facility enable us to see a project from consulting and design, to manufacturing and packaging, to shipping the finished product.