

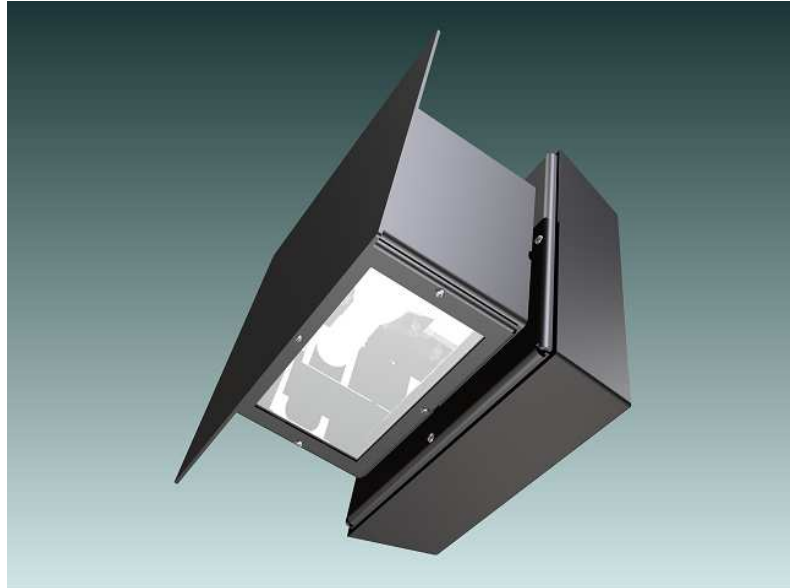
# CUSTOM LIGHTING LTD.

M A N U F A C T U R I N G • D E S I G N • T E C H N O L O G Y

## CL-UP-DOWN-WALL (150w) Exterior Direct/Indirect MH Fixture

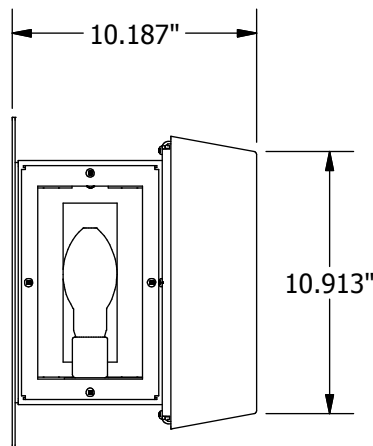
Designed for illumination of exterior surfaces such as buildings and walkways, the CL-UP-DOWN-WALL utilizes a 150w Metal-Halide (MH) lamp to provide reliable lighting in locations with less than desirable temperature and weather conditions. A high-reflectance Miro IV specular reflector maximizes downward lumens output from the lamp.

The housing is built from durable yet light post-painted aluminum. Lamps are protected from the environment by framed 1/8" thick tempered glass on the top and bottom of the housing.

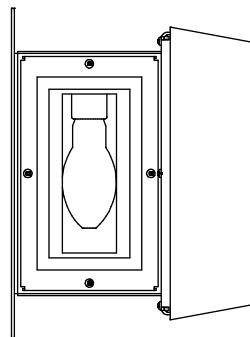


CL-UP-DOWN-WALL (150w)

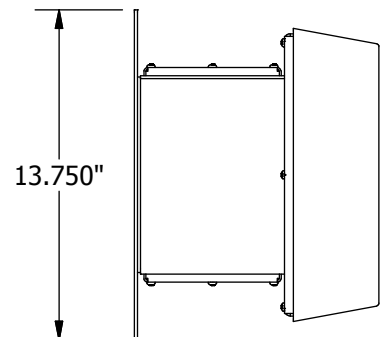
All fixtures **CSA** approved.



BOTTOM VIEW

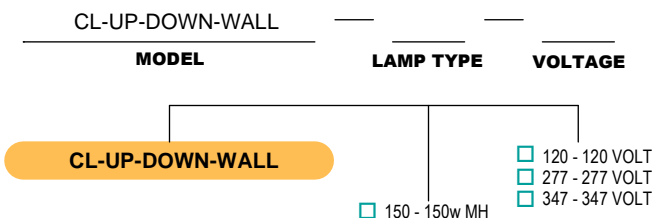


TOP VIEW



SIDE VIEW

### Ordering Logic (Choose from available options)



### Paint Options

- White
- Black
- Custom Colour: \_\_\_\_\_



**Custom Lighting Ltd.** 7923 Coronet Road, Edmonton, AB, T6E 4N7  
 Tel: (780) 463-8014 Fax: (780) 463-2216 Email: sales@customlightingltd.com [www.customlightingltd.com](http://www.customlightingltd.com)