

# CUSTOM LIGHTING LTD.

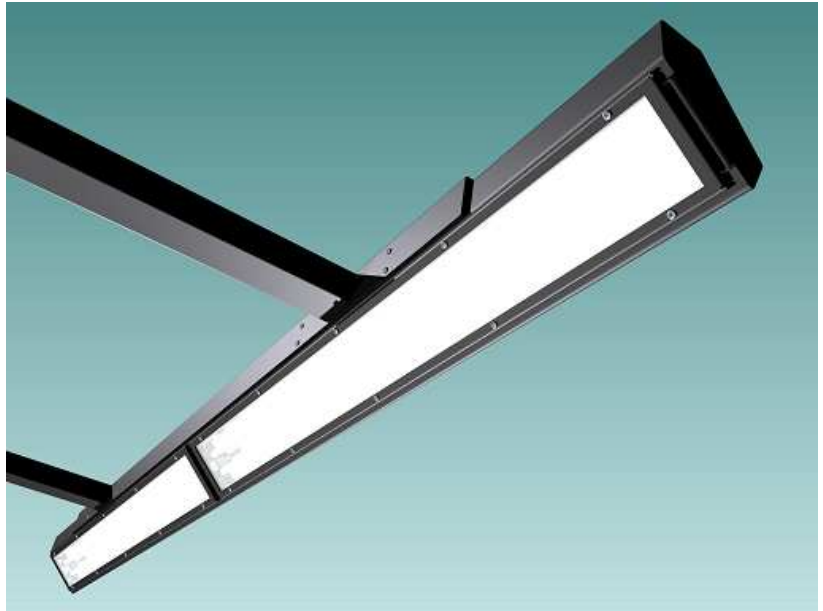
M A N U F A C T U R I N G • D E S I G N • T E C H N O L O G Y

## CL-Signlight (8')

### Exterior T5 Fixture

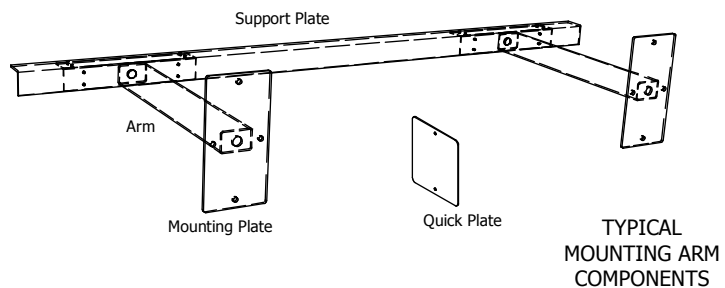
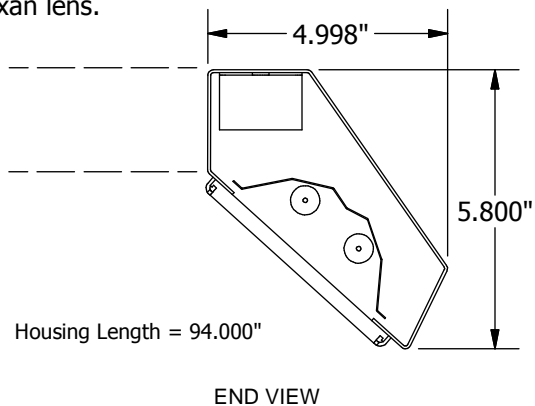
Ideal for illuminating exterior signs, billboards, and building walls, the CL-Signlight (8') is designed to be used with two or four 54w T5HO lamps and high-reflectance Miro IV specular reflectors to maximize energy savings and provide high lumens output.

The housing is built from durable yet light post-painted aluminum. The mounting arm is constructed from 1/8" thick rectangular steel tubing and is designed based on customer specifications. A quick plate near the mounting location permits easy access to wiring for installation. Lamps are protected by a framed clear lexan lens.

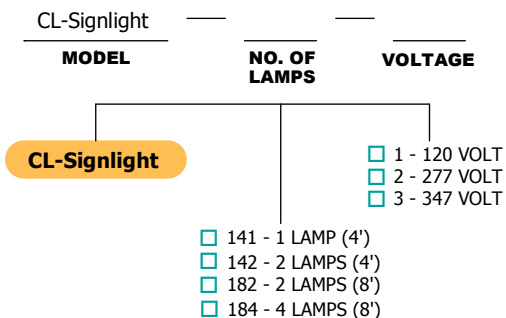


CL-Signlight (8')

All fixtures **CSA** approved.



### Ordering Logic (Choose from available options)



### Mounting Arm Options

- Please do not provide a Mounting Arm.
- Please provide a standard Mounting Arm with:
  - No Quick Plate.
  - A Quick Plate.
  - Specify Length of Arm (in inches): \_\_\_\_\_
- Please provide a custom Mounting Arm (Send specifics to sales@customlightingltd.com)

### Paint Options

- White
- Black
- Custom Colour: \_\_\_\_\_



**Custom Lighting Ltd.** 7923 Coronet Road, Edmonton, AB, T6E 4N7  
 Tel: (780) 463-8014 Fax: (780) 463-2216 Email: sales@customlightingltd.com [www.customlightingltd.com](http://www.customlightingltd.com)