

# CUSTOM LIGHTING LTD.

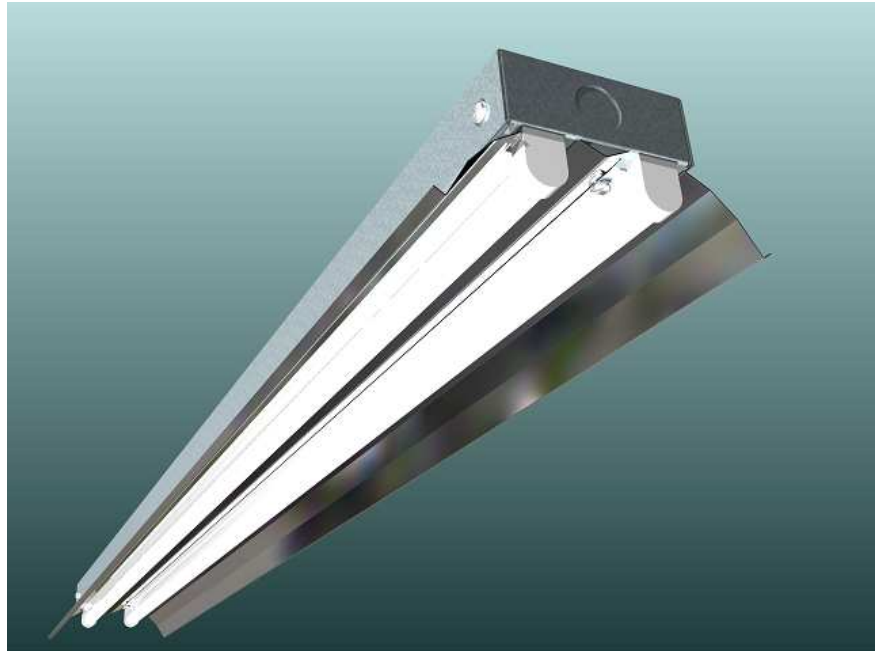
M A N U F A C T U R I N G • D E S I G N • T E C H N O L O G Y

## CL-4-M (2 Lamp) T5HO Strip Fixture

High efficiency T5HO fluorescent strip fixture with specular reflector or, for softer illumination, a high-reflectance white reflector.

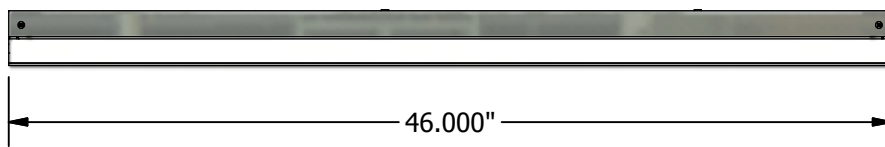
Designed for ceiling, wall, or chain mounting applications as 4' or 8' individual units or in continuous rows.

Ideal for general purpose or task lighting indoor applications.

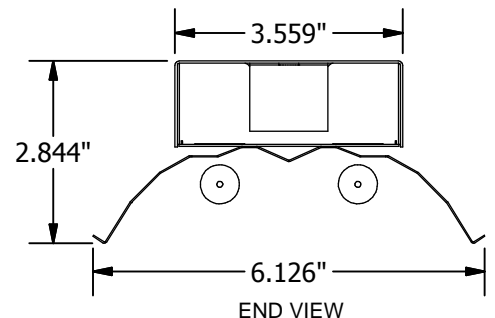


CL-4-M-254 (2 Lamp T5HO)

All fixtures **CSA** approved.

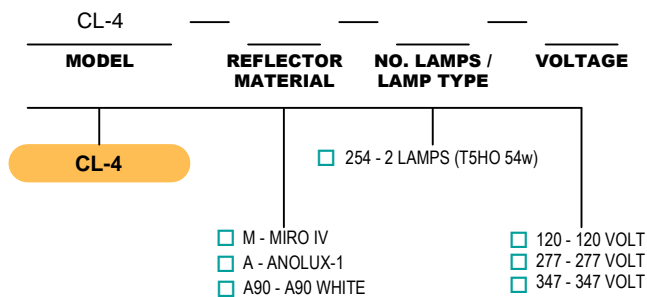


SIDE VIEW



END VIEW

### Ordering Logic (Choose from available options)



**Custom Lighting Ltd.** 7923 Coronet Road, Edmonton, AB, T6E 4N7  
 Tel: (780) 463-8014 Fax: (780) 463-2216 Email: sales@customlightingltd.com [www.customlightingltd.com](http://www.customlightingltd.com)